



## INSTRUCTION SHEET

Original Instructions  
Interlock Switch  
**HS5B Series**



\* In order to verify if the product you are interested in is certified with the S mark, please check the following section on our website: "List of type numbers certified with the S mark"

Confirm that the delivered product is what you have ordered. Read this instruction sheet to make sure of correct operation.

### SAFETY PRECAUTIONS

In this operation instruction sheet, safety precautions are categorized in order of importance to Warning and Caution :

#### WARNING

Warning notices are used to emphasize that improper operation may cause severe personal injury or death.

#### CAUTION

Caution notices are used where inattention might cause personal injury or damage to equipment.

### 1 Type

<b>HS5B-11ZBM</b>	
Contact configuration	Gland Port Size
11 : 1NO-1NC 02 : 2NC	B : G1/2 BM : M20 NP : PG13.5
Material of Head	
Blank : Plastic Z : Metal	

### 2 Specifications and Ratings

Applicable Standards	EN ISO / ISO14119 IEC60947-5-1, EN60947-5-1 GS-ET-15, UL508, CSA C22.2 No.14, GB/T14048. 5			
Standards for Use	IEC60204-1, EN60204-1			
Interlocking device Type / the level of coded	Type 2 Interlocking device / low level coded actuator (EN ISO / ISO14119)			
Applicable Directives	Low Voltage Directive, Machinery Directive, RoHS Directive			
Operating Condition	Operating Temperature	-20 to +70°C (no freezing)		
	Operating Humidity	45 to 85%RH (no condensation)		
	Pollution Degree	3		
	Altitude	2,000m maximum		
Inpulse withstand voltage <Uimp>	4kV			
Raed Insulation voltage<Ui>	300V			
Thermal Current <Ith>	10A			
Contact Ratings <Ue, Ie>		30V	125V	250V
	AC Resistive load (AC12)	10A	10A	6A
	Inductive load (AC15)	10A	5A	3A
	DC Resistive load (DC12)	8A	2.2A	1.1A
		4A	1.1A	0.6A
Electric Shock Protection Class	Class II (IEC61140)			
Operating Frequency	900 operations / hour			
Operating Speed	0.05 to 1.0 m/s			
B10d	2,000,000 (EN ISO13849-1 Annex C Table C.1)			
Mechanical durability	100,000 operations minimum (GS-ET-15)			
Electrical Durability	100,000 operations min. (AC-12 250V/6A)			
	1,000,000 operations min. (AC/DC 24V 100mA) (900operations / hour)			
Shock Resistance	Damage Limits: 1,000m/s <sup>2</sup>			
Vibration Resistance	Operating Extremes: 10 to 55Hz, half amplitude 0.5mm Damage Limits: 30 Hz, half amplitude 1.5mm			
Direct Opening Travel	8 mm minimum			
Direct Opening Force	60 N minimum			
Contact Resistance	50 mΩ maximum (Initial value)			
Degree of Protection	IP67 (IEC60529)			
Conditional short circuit current	100A(250V)			
Short-Circuit Protective Device	250V AC, 10A fast acting type fuse			

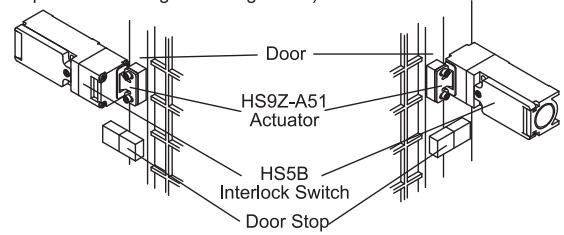
#### Ratings approved by safety agencies

- (1) TÜV rating / KOSHA rating  
AC-15 250V, 3A  
DC-13 30V, 4A
- (2) CCC rating  
AC-15 250V, 3A
- (3) UL, c-UL rating  
A300 3A, 250V ac, General use  
3A, 30V dc, Resistive

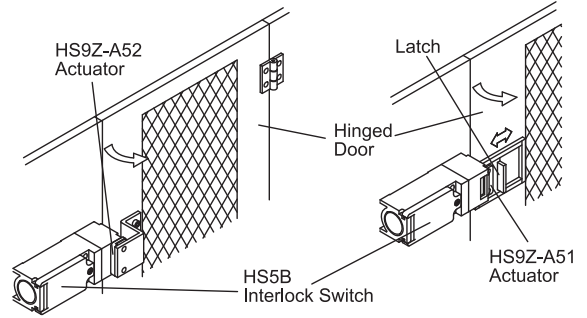
### 3 Mounting Examples

- Install the interlock switch on the immovable machine or guard, and install the actuator on the movable door. Do not install both interlock switch and actuator on the movable door, otherwise the angle of insertion of the actuator to the interlock switch may become inappropriate, and failure will occur.

(Examples of Mounting on Sliding Doors)

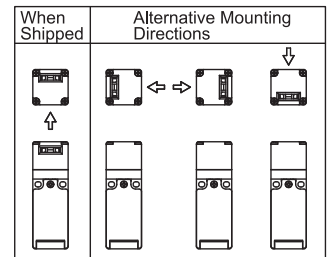


(Examples of Mounting on Hinged Doors)



#### Changing the Mounting Directions of the HS5B Head

- The head of HS5B can be mounted in four directions by removing the four screws on the corners of the HS5B head.



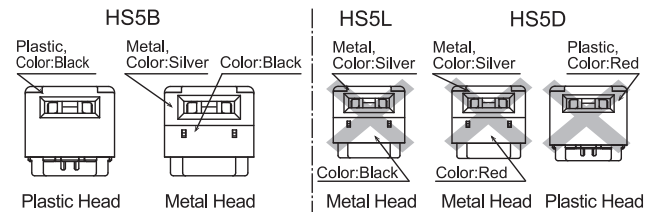
#### WARNING

#### Mounting Directions of the HS5L Head

When the HS5B head is removed, the NC contact is closed. When replacing the HS5B head, make sure that no foreign object enters into the interlock switch. Tighten the screws of head tightly, otherwise the interlock switch may malfunction. Don't remove the screws of head expect when the mouting directions of head is changed.

#### Mounting the HS5B Head

- Do not use the metal head for the HS5L with lock type, the plastic head for the HS5D, and the metal head for the HS5D. Be sure to use the plastic head or metal head for the HS5B. Be sure to use the correct head.

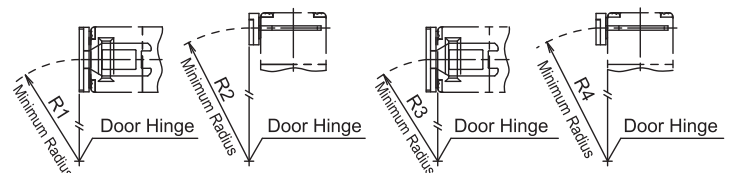


#### Minimum Radius of Hinged Door

- When using the interlock switch for a hinged door, the minimum radius of the applicable door is shown in the following figures.

When the center of the hinged door is on the extension line of the actuator mounting surface.

When the center of the hinged door is on the extension line of the contact surface of actuator and interlock switch.



		Minimum Radius			
		R1	R2	R3	R4
HS9Z-A52		230 mm	260 mm	170 mm	190 mm
HS9Z-A52A	Mounting centers: 12 mm	230 mm	260 mm	120 mm	140 mm
	Mounting centers: 20 mm	310 mm		170 mm	
HS9Z-A55		70 mm (Horizontal Swing)	70 mm (Vertical Swing)	50 mm (Horizontal Swing)	50 mm (Vertical Swing)

## CAUTION

The above example are based on the condition that the actuator enters and exits the actuator entry slot smoothly when the door is closed or opened. Since there may be deviation or dislocation of the hinged door, make sure of correct operation in the actual application before installation.

## Actuator Mounting Reference Position

As shown below, the mounting reference position of the actuator inserted into the interlock switch is:

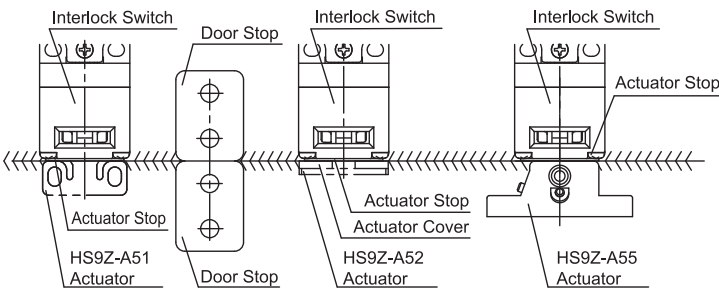
(For HS9Z-A51, A55)

The actuator touches the actuator stop placed on the interlock switch lightly.

(For HS9Z-A52)

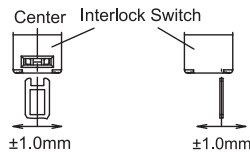
The actuator cover touches the actuator stop placed on the interlock switch lightly.

(After mounting the actuator, remove the actuator stop from the interlock switch.)



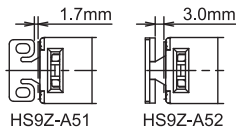
## Actuator Mounting Tolerance

- Mounting tolerance of the actuator is 1.0mm in the four lateral directions.
- Make sure the actuator can be inserted into the entry slot without any issue.



- When closing the door, the actuator is inserted within a certain distance from the reference position. The contact operation is not affected by the actuator movement.

	(Actuator deviation)+ (Door movement)
HS9Z-A51	≤ 1.7 mm
HS9Z-A52	≤ 3.0 mm
HS9Z-A51A	
HS9Z-A52A	
HS9Z-A55	≤ 2.5 mm



## For Type HS9Z-A51A/A52A actuator

- When there is a displacement of interlock switch and actuator, the actuator may hit the entry slot of interlock switch hardy, thus damaging the entry slot and actuator. The rubber cushions on the HS9Z actuator prevent the actuator from damaging the entry slit by absorbing the shock with movement flexibility. Do not, however, exert excessive shocks, otherwise the failure of interlock switch may be caused.
- The rubber cushions may deteriorate depending on the operating environment and conditions. Immediately replace the deformed or cracked rubber cushions with new ones.

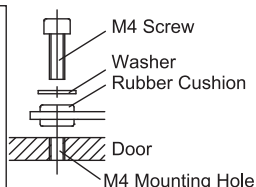
## Recommended Screw Tightening Torque

Name or Use	Screw Tightening Torque
For mounting the interlock switch (M4 screw)*1	1.8 to 2.2 N•m
For mounting the actuator (HS9Z-A51: M4 screw)*1	1.8 to 2.2 N•m
(HS9Z-A52: M4 Phillips screw)	0.8 to 1.2 N•m
(HS9Z-A51A/A52A/A55: two M4 screws)*1 *2	1.0 to 1.5 N•m
For mounting the HS5B lid (M3)	0.2 to 0.4 N•m
Terminal screw (M3.5)	0.9 to 1.1 N•m
Cable gland	2.7 to 3.3 N•m
For mounting the HS5B head (M3)*1	0.9 to 1.1 N•m

## CAUTION

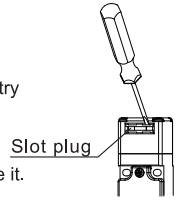
\*1 When the torque is not enough to recommended screw tightening torque, make sure that the screw do not become loose by using adhesive sealants etc. to keep right operation and mounting positioning.

\*2 In the case of HS9Z-A51A and HS9Z-A52A, using two M4 screws and two attached washers, fasten the actuator securely on the door.



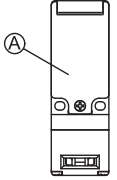
## Installing the slot plug (In the case of a standard sale model. Please check other models.)

- When not in use, close up the interlock switch actuator entry slots with slot plugs to prevent dust from entering.
- The actuator entry slot vertical to the mounting panel come closed up with slot plugs at time of shipment.



## 4 Instruction for Operation

- Do not apply an excessive shock to the interlock switch when opening or closing the door. A shock to the interlock switch exceeding 1000 m/s<sup>2</sup> may cause failure.
- Provide a door guide, and ensure that force is applied on the interlock switch only in the actuator insertion direction.
- When opening the interlock switch lid to wire, open the lid (A) only. (See the figure on the right.) Never remove other screws, otherwise the interlock switch may be damaged.
- Entry of foreign objects in the actuator entry slot may affect the mechanism of the switch and cause a breakdown. If the operating atmosphere is contaminated, use a protective cover to prevent the entry of foreign objects into the switch through the actuator entry slots.
- When wiring or installing a gland, make sure that no foreign objects, dust, and water enter into the interlock switch.
- Make sure to install the product in a place where it cannot be damaged. Make sure to conduct a proper risk assessment evaluation before using the product, and use a shield or a cover to protect the product if need be.
- Use only the designated actuator for the HS5B. Other actuators will cause a breakdown of the switch.



## WARNING

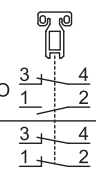
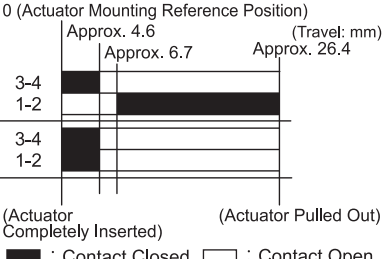
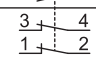
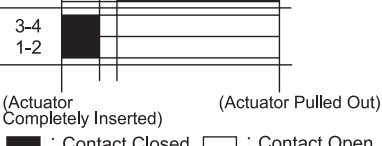
- Turn off the power to the interlock switch before starting installation, removal, wiring, maintenance, and inspection on the interlock switch. Failure to turn power off may cause electrical shocks or fire hazard.
- Do not disassemble or modify the switch. Also do not attempt to disable the interlock switch function, otherwise a breakdown or an accident will result.
- Use wires of a proper size to meet voltage and current requirements. Tighten the terminal screws to a recommended tightening torque of 1.0N•m. Loose terminal screws will cause unexpected heating and fire hazard during operation.

## CAUTION

- HS5L Series Interlock Switches are Type 2 low-level coded interlocking devices (EN ISO / ISO14119). The following system installation & mounting instructions are EN ISO / ISO14119 requirements to prevent function failure from the interlock switch.
  - Using permanent fixing methods (e.g. welding, rivets, special screws...etc) to prevent dismantling or de-positioning of the interlock device. However, permanent fixing methods are not an adequate solution if you expect the interlock device to fail during the machinery lifetime, or if you need to replace the product in quick manner. In these situations, other measures (see 2.) should be put in place to reduce the risks of function failure.
  - At least one of the following measures should be applied to prevent function failure.
    - (1) Mounting the interlock device in a place out of reach from workers
    - (2) Using shielding protection to prevent physical obstruction of the device
    - (3) Mounting the interlock device in a hidden position
    - (4) Integrate status monitoring & cycling testing of the device to the control system to prevent product failure.
- Do not use the Interlock Switch as a door stop on any type of doors. Install mechanical door stops on the door ends to protect the interlock switch from excessive force.
- Mount the actuator so that it will not hit the operator when the door is open, otherwise injury may be caused.
- Pay attention to the management of spare actuator. Safety function of door interlock switch will be lost in case the spare actuator is inserted into the interlock switch. Ensure that the actuator is firmly fastened to the door (welding, rivet, special screw) in the appropriate location, so that the actuator cannot be removed easily.
- Do not cut or remodel the actuator, otherwise failure will occur.
- If multiple safety components are wired in series, the Performance Level to EN ISO 13849-1 will be reduced due to the restricted error detection under certain circumstance.
- The entire concept of the control system, in which the safety component is integrated, must be validated to EN ISO13849-2.

## 5 Contact Operation

### Contact Configuration and Operation

Type	Contact Configuration	Contact Operation (reference)
HS5B-11□	1NC-1NO 	0 (Actuator Mounting Reference Position) Approx. 4.6 (Travel: mm) Approx. 6.7 Approx. 26.4 
HS5B-02□	2NC 	

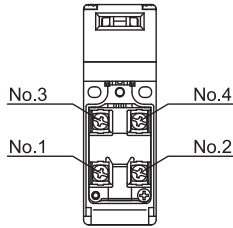
(Actuator Completely Inserted) (Actuator Pulled Out)  
 ■ : Contact Closed □ : Contact Open

- Contact operation is based on the condition that the actuator is inserted into the center of the interlock switch slot.
- Contact operation shows the HS9Z-A51 actuator.  
(For other actuators, add 1.3 mm to contact operation.)

## 6 Wiring

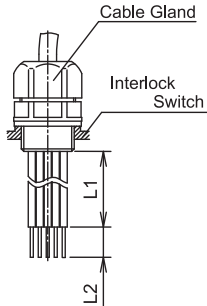
### Terminal wiring method

- Terminal NO.



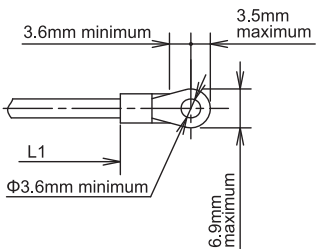
### Wire Length inside the Interlock Switch

Screw Terminal No.	1 to 4
Wire Length: L1 (mm)	When using crimping terminal: 32 <sup>±2</sup> When using without crimping terminal: 35 <sup>±2</sup>
Wire Stripping Length: L2 (mm)	7 <sup>±2</sup>

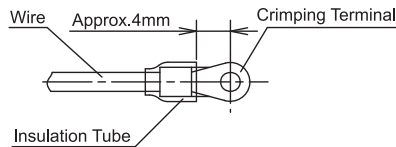


Recommended Wire Core Size : 0.5 to 1.25 mm<sup>2</sup>

### Applicable Crimping Terminal (mm)

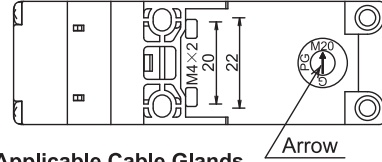


Note : Make sure to use an insulation tube on the crimping terminal.



### Gland Port Size Identification

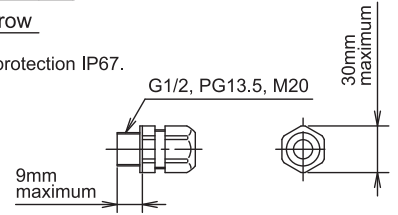
Gland port size is identified by the arrow on the back of the HS5B interlock switch. The following example shows the identification of the M20 gland port size.



Mark	Gland port size
G	G1/2
PG	PG13.5
M20	M20

### Applicable Cable Glands

- Use a cable gland with a degree of protection IP67.
- Applicable cable gland dimensions



- When using flexible conduit and metal cable gland Applicable Flexible Conduit  
Example: Type VF-03 (made by Nihon Flex)

Gland port size	Plastic cable gland	Metal cable gland
G1/2	_____	RLC-103 (made by Nihon Flex)
PG13.5	_____	RBC-103PG13.5 (made by Nihon Flex)
M20	_____	RLC-103EC20 (made by Nihon Flex)

- When using plastic cable gland, metal cable gland and multi-core cable

Gland port size	Plastic cable gland	Metal cable gland
G1/2	SCS-10□ (made by Seiwa Electric)	ALS-16□□ (made by Nihon Flex)
PG13.5	ST13.5 (made by K-MECS)	ABS-□□PG13.5 (made by Nihon Flex)
M20	ST-M20X1.5 (made by K-MECS)	ALS-□□EC20 (made by Nihon Flex)

- When using a 1/2-14NPT cable gland, use HS5B interlock switch with M20 gland port size (Type: HS5B-□□□BM) together with adaptor (Type: MA-M/NPT 20X1.5 5402-0110, made by K-MECS) and gasket (Type: GP M20, made by K-MECS) which are sold separately. Install the gasket between the interlock switch and the adaptor. Apply a sealing tape between the cable gland and the adaptor so that the enclosure will conform to IP67.

### CAUTION

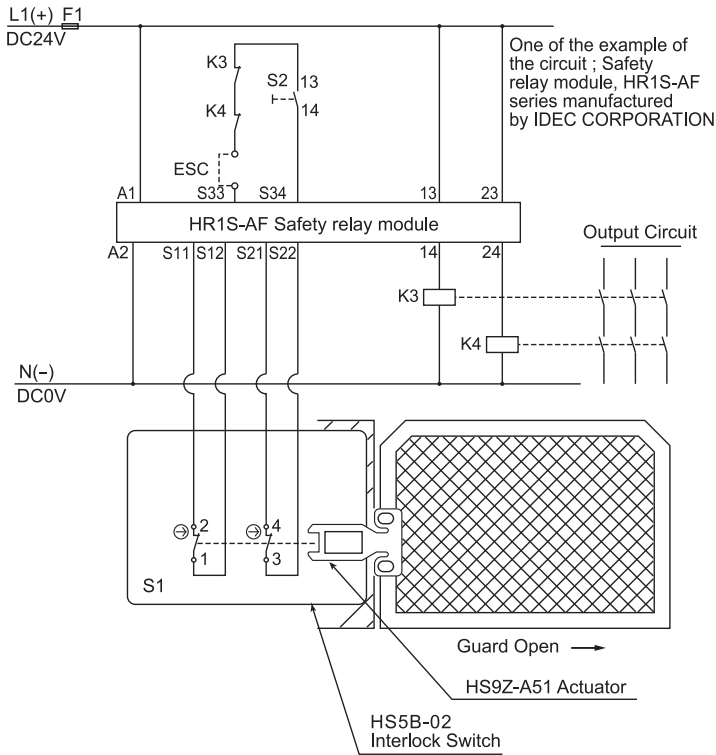
Confirm the outside diameter of the multi-core cable because the cable gland type depends on the outside diameter of the multi-core cable.

## 7 Example of wiring Diagram realizing Safety Category

### Example of a circuit diagram for Safety Category 3 (attainable PL = d)

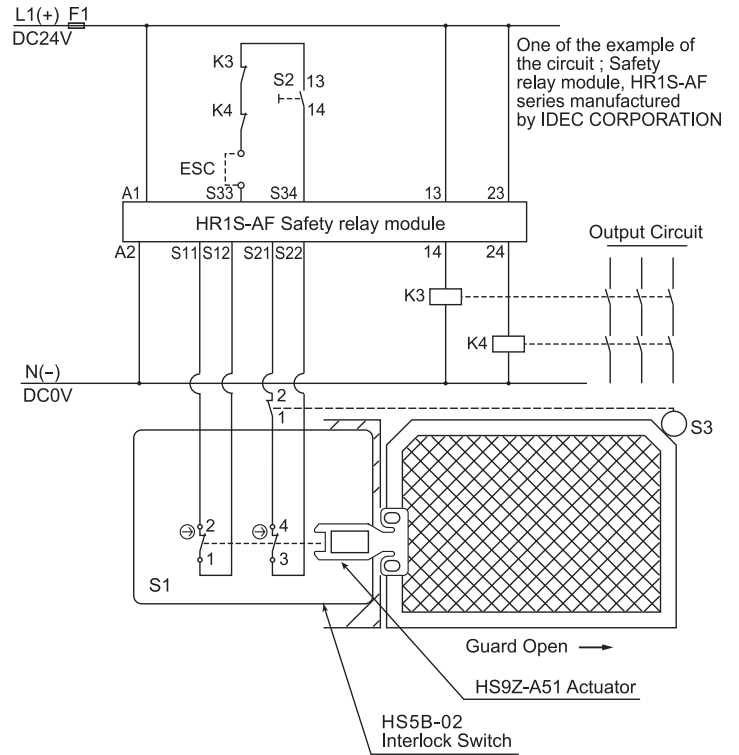
(Condition 1: To apply the fault exclusion of mechanical structural parts including the actuator → Make sure to use the product within the product specification range described in this manual and the version of the manual provided with the product.)

(Condition 2: Documentation of the reason for the machine/equipment manufacturer to have applied the fault exclusion based on EN ISO13849-1, EN ISO13849-2 or IEC62061.)



- S1: HS5B-02 Interlock Switch
- S2: Start Switch (HW Series Momentary)
- S3: HS5B Interlock Switch / Safety limit Switch
- ESC: Outside start condition
- K3, 4: Safety Contactor
- F1: Outside fuse of safety relay module at power supply line

### Example of a circuit diagram for Safety Category 4 (attainable PL = e)

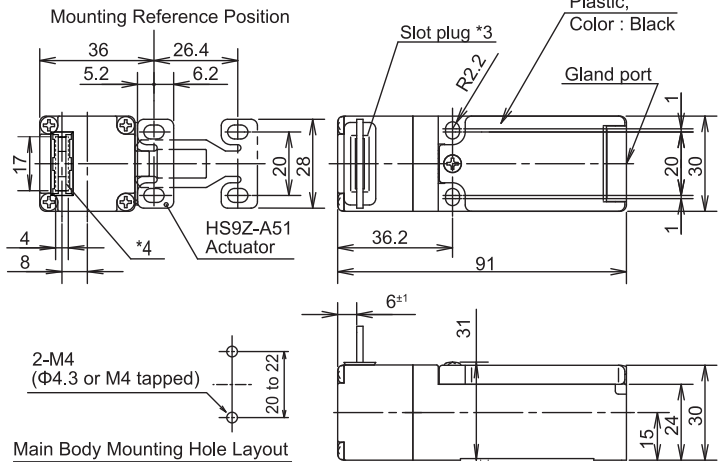


Note: Use the monitoring device(Safety relay module)provided the capability to detect a cross short circuit. The insulation of the cable has to withstand environmental influences. If a control device other than the one shown in the draft is used, the used control device has to be equipped with a cross short circuit monitor.

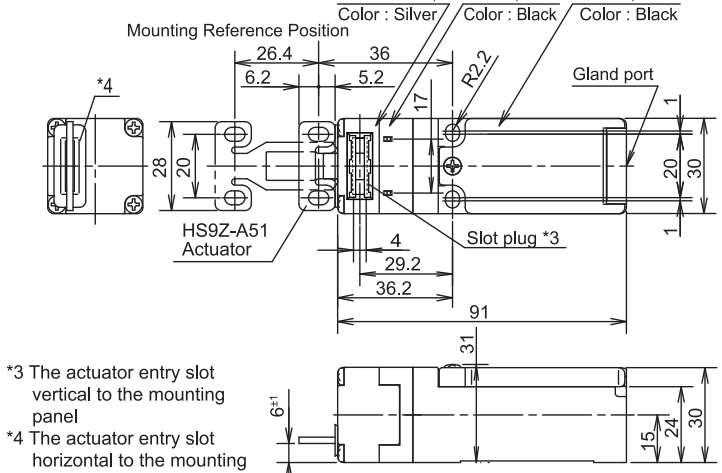
## 8 Dimensions (mm)

### Interlock Switch dimensions

#### • HS5B-□□\*\* (Plastic Head)

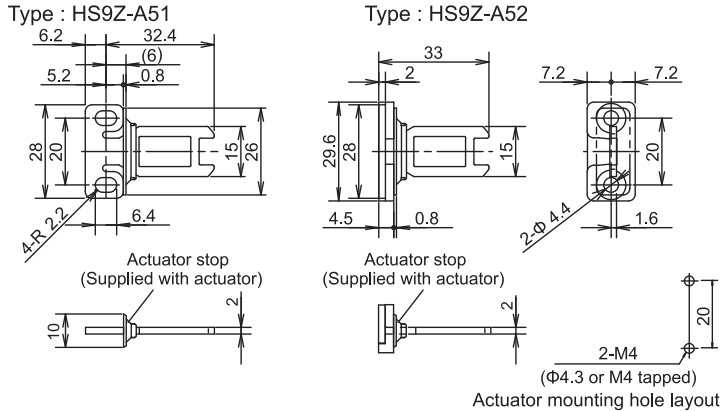


#### • HS5B-□□□\*\* (Metal Head)

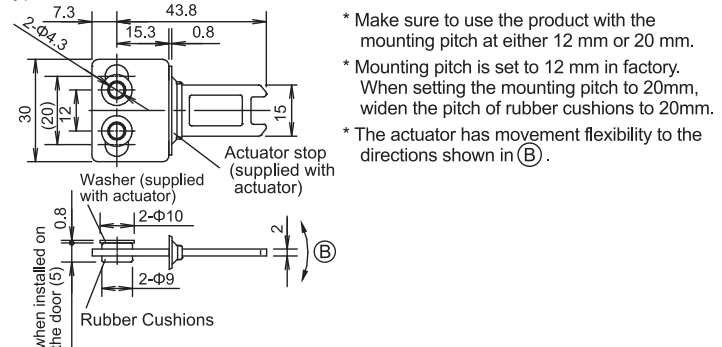


\*3 The actuator entry slot vertical to the mounting panel  
 \*4 The actuator entry slot horizontal to the mounting panel  
 Note: When not in use, close up the interlock switch actuator entry slots with slot plugs to prevent dust from entering.  
 (The actuator entry slot vertical to the mounting panel come closed up with slot plugs at time of shipment. In the case of a standard sale model. Please check other models.)

### Accessories dimensions

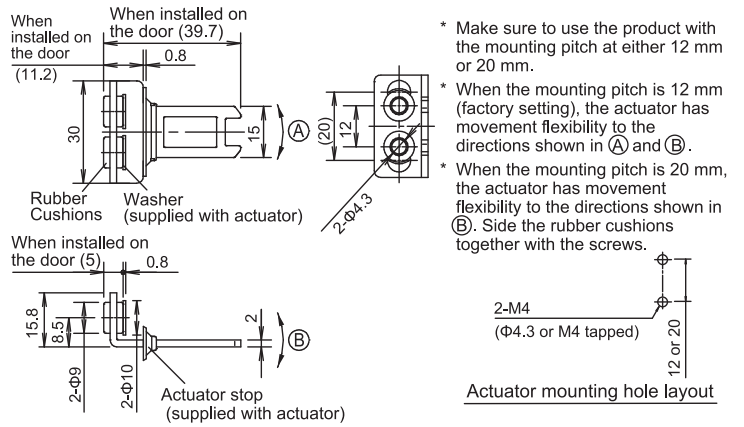


#### Type : HS9Z-A51A Actuator with Rubber Cushions



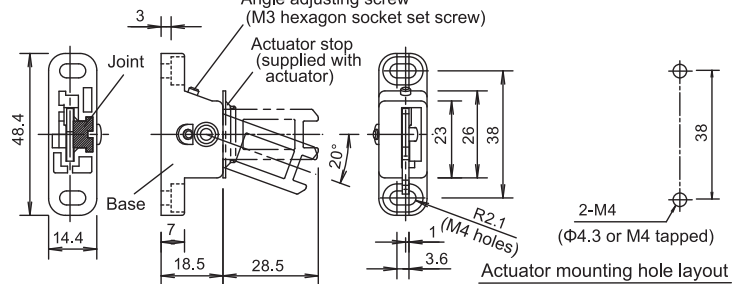
\* Make sure to use the product with the mounting pitch at either 12 mm or 20 mm.  
 \* Mounting pitch is set to 12 mm in factory. When setting the mounting pitch to 20mm, widen the pitch of rubber cushions to 20mm.  
 \* The actuator has movement flexibility to the directions shown in (B).

#### Type : HS9Z-A52A Actuator with Rubber Cushions

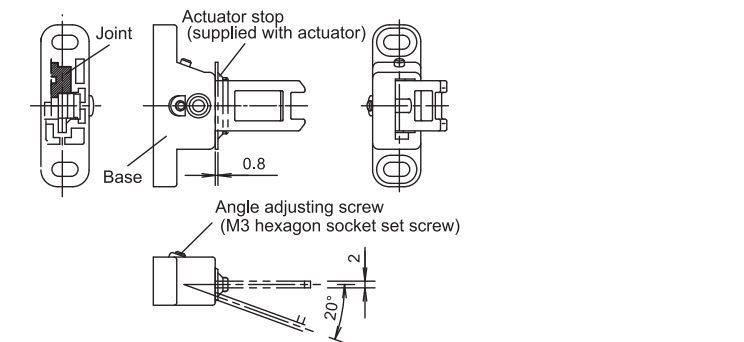


\* Make sure to use the product with the mounting pitch at either 12 mm or 20 mm.  
 \* When the mounting pitch is 12 mm (factory setting), the actuator has movement flexibility to the directions shown in (A) and (B).  
 \* When the mounting pitch is 20 mm, the actuator has movement flexibility to the directions shown in (B). Side the rubber cushions together with the screws.

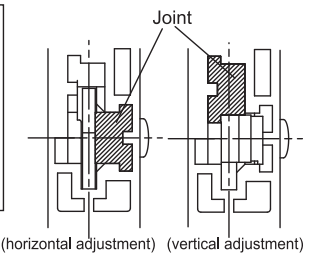
#### Type : HS9Z-A55 Angle Adjustable (vertical / horizontal) Actuator (horizontal adjustment)



#### (vertical adjustment) << factory default >>



\* The actuator stop is used when adjusting the actuator position. Remove after the actuator position is determined.  
 \* The direction of adjustable angle can be changed (vertical or horizontal) by changing the insertion direction of the joint (white plastic part). Do not lose the joints. Actuators do not operate normally without a joint.



## 9 Precaution for Disposal

Dispose of the HS5B interlock switch as an industrial waste.

## IDEC CORPORATION <http://www.idec.com>

**Manufacturer: IDEC CORP.**  
 2-6-64 Nishimiyahara Yodogawa-ku, Osaka 532-0004, Japan  
**EU Authorized Representative: APEM SAS**  
 55, Avenue Edouard Herriot BP1, 82303 Caussade Cedex, France

**EU DECLARATION OF CONFORMITY**  
 We, IDEC CORPORATION 2-6-64, Nishimiyahara Yodogawa-ku, Osaka 532-0004, Japan declare under our sole responsibility that the product:

Description: Interlock Switch  
 Model No: HS5B  
 Applied Union harmonized legislation and references to the relevant harmonization standards used or references the other technical specifications in relation to which conformity is declared.  
 Applicable EU Directive : Low Voltage Directive (2014/35/EU)  
 Machinery Directive (2006/42/EC)  
 RoHS Directive (2011/65/EU)  
 Applicable Standard(s) : EN 60947-5-1, GS-ET-15, EN50581