



INSTRUCTION SHEET

Original Instructions
Interlock Switch
HS6B Series



* In order to verify if the product you are interested in is certified with the S mark, please check the following section on our website: "List of type numbers certified with the S mark"

Confirm that the delivered product is what you have ordered.
Read this instruction sheet to make sure of correct operation.

SAFETY PRECAUTIONS

In this operating instruction sheet, safety precautions are categorized to Warning and Caution:

WARNING

Warning notices are used to emphasize that improper operation may cause severe personal injury or death.

CAUTION

Caution notices are used where inattention might cause personal injury or damage to equipment.

1 Type

Interlock switch	Actuator
HS6B-11B01	HS9Z-A61
Contact Configuration 11:1NC-1NO 02:2NC 12:2NC-1NO 03:3NC	Cable Length 01:1m 03:3m 05:5m
	61: Straight (Mainly for sliding doors) 62: L-shaped (Mainly for hinged doors) 65: Horizontal / Vertical Adjustment (Note) 66: Horizontal / Vertical Adjustment (Note)

Note: Select an actuator that moves in the direction required by the hinged door and interlock switch.

2 Specifications and Ratings

Applicable Standards	EN ISO / ISO 14119, IEC 60947-5-1, EN 60947-5-1 GS-ET-15, UL508, CSA C22.2 No.14, GB/T14048.5				
Standards for Use	IEC 60204-1/ EN 60204-1				
Interlocking device Type / the level of coded	Type 2 Interlocking device / low level coded actuator (EN ISO / ISO 14119)				
Applicable Directives	Low Voltage Directive, Machinery Directive, RoHS Directive				
Operating Condition	Operating Temperature	-25 to +70°C (no freezing)			
	Operating Humidity	45 to 85%RH (no condensation)			
	Storage Temperature	-40 to +80°C (no freezing)			
	Pollution Degree	3 (Inside2)			
	Altitude	2000m maximum			
Impulse withstand voltage (Uimp)	4kV				
Rated Insulation voltage (Ui)	300V				
Thermal Current (Ith)	2.5A				
Contact Ratings (Reference Values) (Ue, Ie)	AC	Resistive load(AC-12)	—	2.5A	1.5A
		Inductive load(AC-15)	—	1.5A	0.75A
	DC	Resistive load(DC-12)	2.5A	1.1A	0.55A
		Inductive load(DC-13)	2.3A	0.55A	0.27A
Electric Shock Protection Class	Class II (IEC 61140)				
Operating Frequency	1200 operations/hour				
Operating Speed	0.05 to 1.0 m/s				
B10d	2,000,000 (EN ISO 13849-1 Annex C Table C.1)				
Mechanical Durability	1,000,000 operations minimum (GS-ET-15)				
Electrical Durability	100,000 operations min. (AC-12 250V*1.5A)				
	1,000,000 operations min. (AC/DC 24 100mA) (1,200 operations / hour)				
Shock Resistance	Operating Extremes: 300m/s ² , Damage Limits: 1,000m/s ²				
Vibration Resistance	Operating Extremes: 5 to 55 Hz, half amplitude 0.5mm Damage Limits: 30 Hz, half amplitude 1.5 mm				
Direct Opening Travel	8 mm minimum				
Direct Opening Force	60 N minimum				
Contact Resistance	300 mΩ maximum (Initial value, at cable length 1m)				
Degree of Protection	IP67 (IEC 60529)				
Conditional short circuit current	50A (250V)				
Short-Circuit Protective Device	250V AC, 10A fast acting type fuse *				
Weight	Approx. 120g (at HS6B-03B01)				

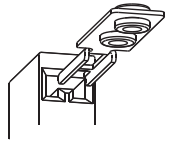
* Make sure that a fast acting fuse for short-circuit protection trips before overheating of the wires.

Ratings approved by safety agencies

- | | | |
|--|--|------------------------------------|
| (1) TÜV rating | (2) UL, c-UL rating | (3) CCC rating |
| AC-15 240V/0.75A
DC-13 250V/0.27A
DC-13 30V/2.3A | C300 0.75A, 240V ac, Pilot Duty
Q300 0.27A, 250V dc, Pilot Duty | AC-15 240V/0.75A
DC-13 30V/2.3A |
| (4) KOSHA rating | | |
| AC-15 240V/0.75A
DC-13 250V/0.27A | | |

3 Mounting Examples

Install the interlock switch on the immovable machine or guard, and install the actuator on the movable door. Do not install both interlock switch and actuator on the movable door, otherwise failure will occur.



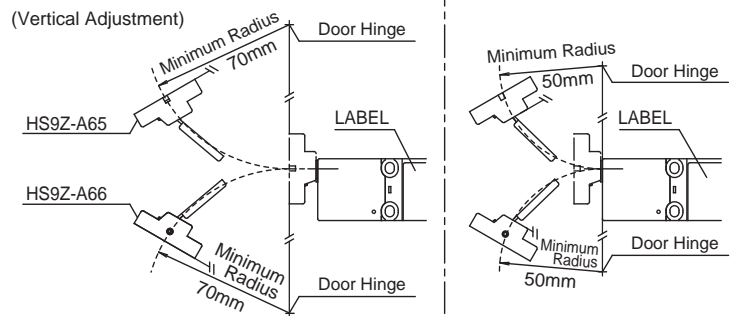
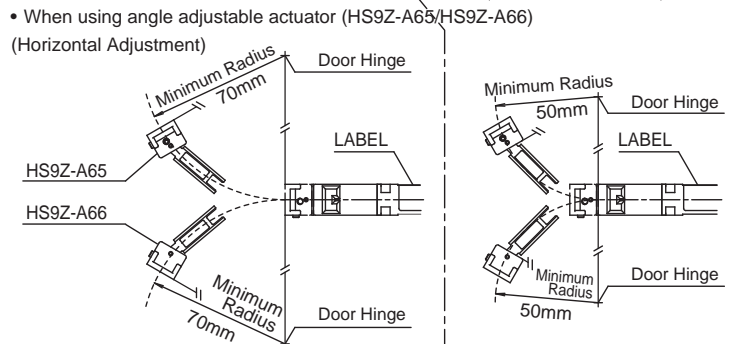
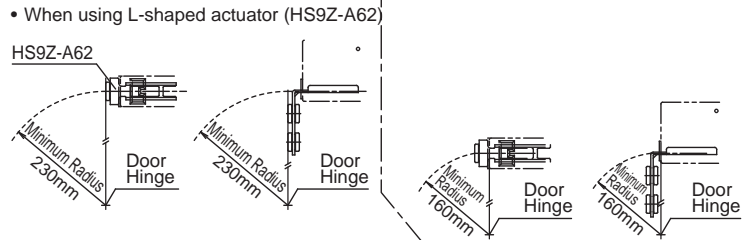
Note: When inserting an actuator into the slot, make sure to arrange the shapes in the same direction, as shown on the right.

Minimum Radius of Hinged Door

When using the interlock switch for a hinged door, the minimum radius of the applicable door is shown in the following figures.

(When the center of the hinged door is on the extension line of the actuator mounting surface.)

(When the center of the hinged door is on the extension line of the contact surface of actuator and interlock switch.)

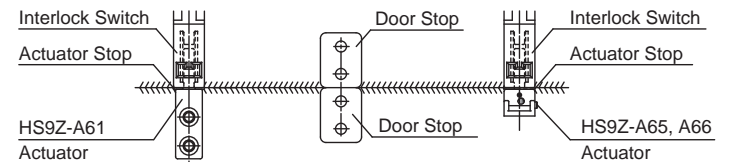


Note: The figures shown above are based on the condition that the actuator enters and exits the actuator entry slot smoothly when the door is closed or opened. Since there may be deviation or misalignment of the hinged door, make sure of correct operation in the actual application before installation.

Actuator Mounting Reference Position

As shown below, the mounting reference position of the actuator inserted into the interlock switch is: The actuator stop touches the interlock switch lightly.

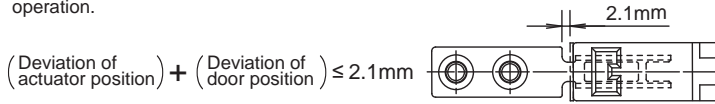
Note: After mounting the actuator, remove the actuator stop from the interlock switch.



Actuator Mounting Tolerance

- Mounting tolerance of the actuator is 1.0mm from the center of the actuator to up, down, right, and, left.
 - Make sure the actuator can be inserted into the entry slot without any issue.
-

- Actuator can move 2.1mm from the mounting position without affecting the contact operation.



Adjusting the Angle Adjustable (vertical/horizontal) Actuator

- Using the angle adjustment screw (M3 hexagon socket set screw), the actuator angle can be adjusted up to 20°(refer to dimensions).
- The larger the actuator angle, the smaller the applicable radius of the door swing. After installing the actuator, open the door. Then adjust the actuator angle so that the actuator enters the entry slot of the interlock switch properly.
- After adjusting the actuator angle, apply loctite or the like on the adjustment screw to prevent loosening. Use screw locking agent that is compatible with the base material.
Base: PA66 (66 nylon) of glass reinforced grade
Angle adjustment screws: stainless steel

HS9Z-A61, HS9Z-A62 ACTUATOR

- When there is a displacement of interlock switch and actuator, the actuator may hit the entry slot of interlock switch too hard, thus damaging the entry slot and actuator. The rubber cushions on the HS9Z actuator prevent the actuator from damaging the entry slot by absorbing the shock with movement flexibility. Do not, however, exert excessive shocks, otherwise the failure of interlock switch may be caused.
- The rubber cushions may deteriorate depending on the operating environment and conditions. Immediately replace the deformed or cracked rubber cushions with new ones.

Recommended Screw Tightening Torque

Name or Use	Screw Tightening Torque
For mounting the interlock switch (M4 screw) *1	1.0 to 1.5N•m
For mounting the actuator (M4 screw) *1	1.0 to 1.5N•m

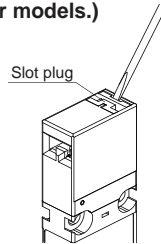
CAUTION

*1 When the torque is not enough to recommended screw tightening torque, make sure that the screw do not become loose by using adhesive sealants etc. to keep right operation and mounting positioning.

Installing the slot plug

(In the case of a standard sale model.Please check other models.)

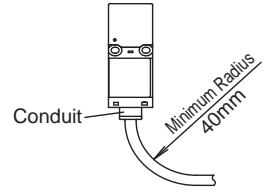
- When not in use, close up the interlock switch actuator entry slots with slot plugs to prevent dust from entering.
- The actuator entry slot on the top come closed up with slot plugs at time of shipment. When replacing, please use a small screwdriver as shown and replace it.



4 Instruction

Installation

- Do not apply an excessive shock to the interlock switch when opening or closing the door. A shock to the interlock switch exceeding 1,000 m/s² may cause failure.
- Provide a door guide, and ensure that force is applied on the interlock switch only in the actuator insertion direction.
- Entry of foreign objects in the actuator entry slot may affect the mechanism of the switch and cause a breakdown. If the operating atmosphere is contaminated, use a protective cover to prevent the entry of foreign objects into the switch through the actuator entry slots.
- Make sure to install the product in a place where it cannot be damaged. Make sure to conduct a proper risk assessment evaluation before using the product, and use a shield or a cover to protect the product if need be.
- Do not fasten and loosen the conduit at the bottom of the interlock switch.
- When wiring, make sure that liquid such as water and oil dose not intrude from the tip of cable.
- When bending cable at wiring, secure the cable radius of 40mm at the minimum.
- Be sure to use the dedicated actuator only, and do not operate the HS6B interlock switch with anything other than the dedicated actuator. Otherwise, the safety of the system may not be maintained.



WARNING

- Turn off the power to the interlock switch before starting installation, removal, wiring, maintenance, and inspection on the interlock switch. Failure to turn power off may cause electrical shocks or fire hazard.
- Do not disassemble or modify the switch. Also do not attempt to disable the interlock switch function, otherwise a breakdown or an accident will result.

CAUTION

- HS6B Series Safety Switches are Type 2 low-level coded interlocking devices (EN ISO / ISO 14119). The following system installation & mounting instructions are EN ISO / ISO 14119 requirements to prevent function failure from the interlock switch.
 - Using permanent fixing methods (e.g. welding, rivets, special screws...etc) to prevent dismantling or de-positioning of the interlock device. However, permanent fixing methods are not an adequate solution if you expect the interlock device to fail during the machinery lifetime, or if you need to replace the product in quick manner. In these situations, other measures (see 2.) should be put in place to reduce the risks of function failure.
 - At least one of the following measures should be applied to prevent function failure.
 - Mounting the interlock device in a place out of reach from workers
 - Using shielding protection to prevent physical obstruction of the device
 - Mounting the interlock device in a hidden position
 - Integrate status monitoring & cycling testing of the device to the control system to prevent product failure.
- Regardless of door types, do not use the interlock switch as a door stop. Install a mechanical door stop at the end of the door to protect the interlock switch against an excessive force.
- Mount the actuator so that it will not hit the operator when the door is open, otherwise injury may be caused.
- Pay attention to the management of spare actuator. Safety function of door interlock switch will be lost in case the spare actuator is inserted into the interlock switch.
Ensure that the actuator is firmly fastened to the door (welding, rivet, special screw) in the appropriate location, so that the actuator cannot be removed easily.
- Do not cut or remodel the actuator, otherwise failure will occur.
- If multiple safety components are wired in series, the Performance Level to EN ISO 13849-1 will be reduced due to the restricted error detection under certain circumstance.
- The entire concept of the control system, in which the safety component is integrated, must be validated to EN ISO 13849-2.

5 Contact Operation

Contact Configuration and Operation

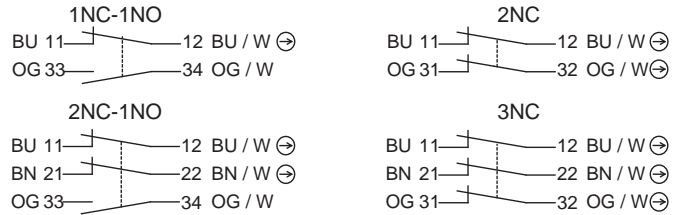
Type	Contact Configuration	Contact Operation
HS6B-11□		<p>0.8 (Actuator Mounting Reference Position) Approx. 5.5 (Travel: mm) Approx. 5.8 Approx. 28.2</p> <p>11-12 33-34</p>
HS6B-02□		<p>11-12 31-32</p>
HS6B-12□		<p>11-12 21-22 33-34</p>
HS6B-03□		<p>11-12 21-22 31-32</p>

(Actuator Completely Inserted) (Actuator Pulled Out)
 : Contact closed : Contact open

6 Wiring

Identification of terminal numbers

- When wiring, the identification of terminal number on each contact is made by colored wire.
- The following shows a safety (main) contact and an auxiliary contact for three contacts and two contacts types.



- When wiring, cut unnecessary wires such as dummy insulator (black) and / or unused wire to avoid incorrect wiring.

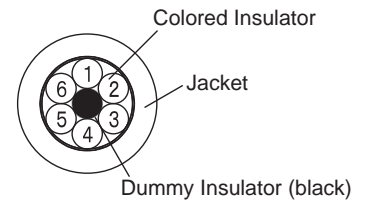
Specifications of cable

- UL style 2464, 6c×No.20AWG, (80°C 300V)

Identification of wire

- The identification of wire is made by the color and white line printed on the wire.

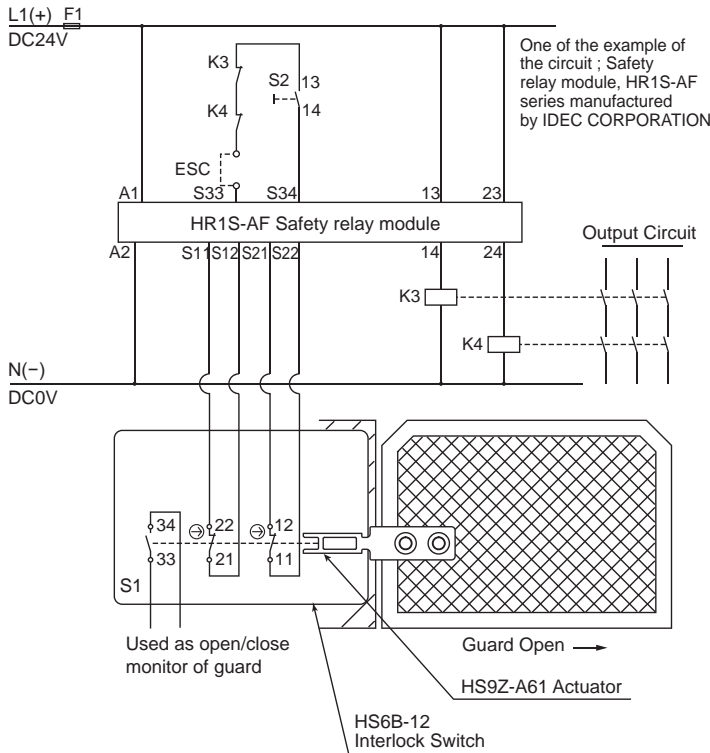
No.	Color of Insulator
1	Orange / White
2	Blue / White
3	Brown / White
4	Brown
5	Blue
6	Orange



7 Example of wiring Diagram realizing Safety Category

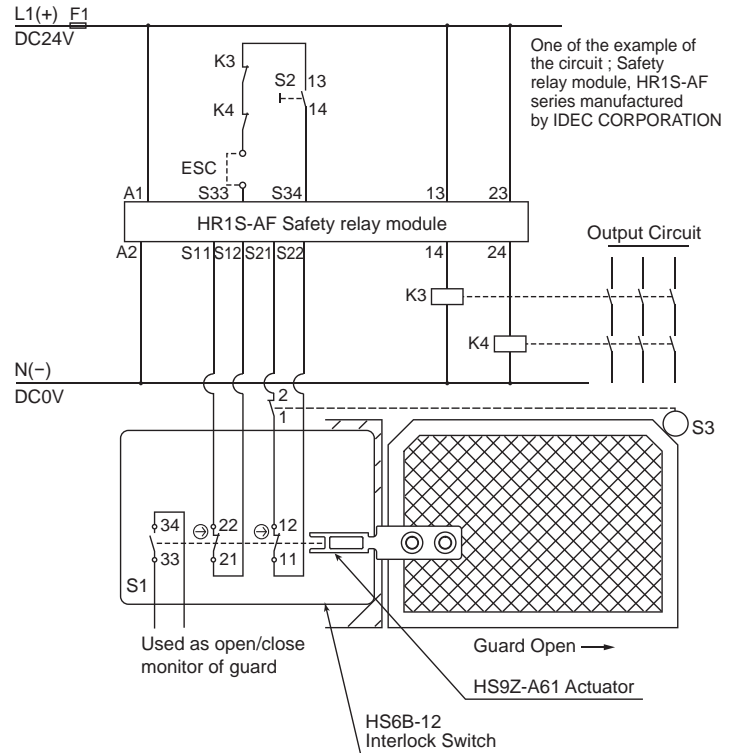
Example of a circuit diagram for Safety Category 3 (attainable PL = d)

(Condition 1: To apply the fault exclusion of mechanical structural parts including the actuator → Make sure to use the product within the product specification range described in this manual and the version of the manual provided with the product.)
 (Condition 2: Documentation of the reason for the machine/equipment manufacturer to have applied the fault exclusion based on ISO 13849-1, ISO 13849-2 or IEC 62061.)



- S1: HS6B-12 Interlock Switch
- S2: Start switch (HW Series Momentary)
- S3: Safety limit Switch
- ESC: Outside start condition
- K3, 4: Safety Contactor
- F1: Outside fuse of safety relay module at power supply line

Example of a circuit diagram for Safety Category 4 (attainable PL = e)

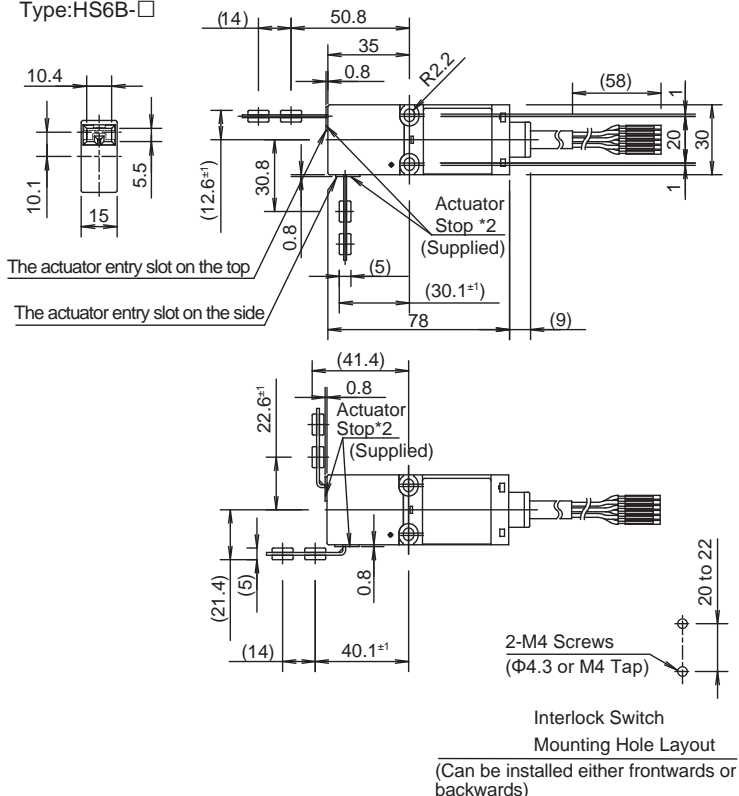


Note: Use the monitoring device(Safety relay module) provided the capability to detect a cross short circuit. The insulation of the cable has to withstand environmental influences. If a control device other than the one shown in the draft is used, the used control device has to be equipped with a cross short circuit monitor.

8 Dimensions

Dimensions

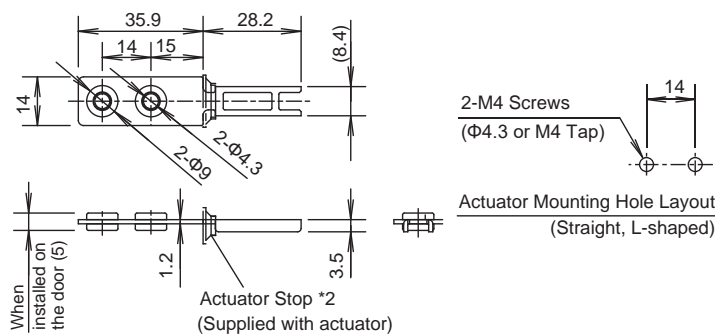
Type:HS6B-□



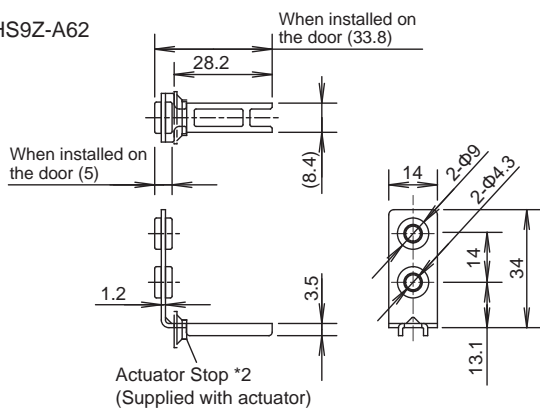
When not in use, close up the interlock switch actuator entry slots with slot plugs to prevent dust from entering.
(The actuator entry slot on the top come closed up with slot plugs at time of shipment. In the case of a standard sale model. Please check other models.)

Accessories dimensions

Type:HS9Z-A61

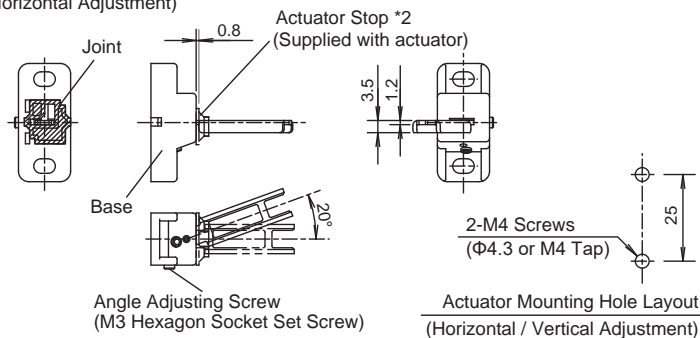


Type:HS9Z-A62



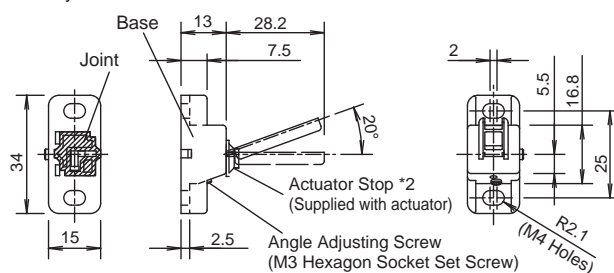
Type:HS9Z-A65

(Horizontal Adjustment)



(Vertical Adjustment)

Factory default *3

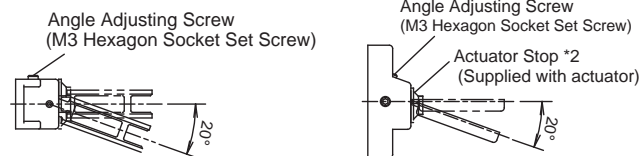


Type:HS9Z-A66

Note: HS9Z-A65 and HS9Z-A66 are different in the insertion direction of the metal key(180°).

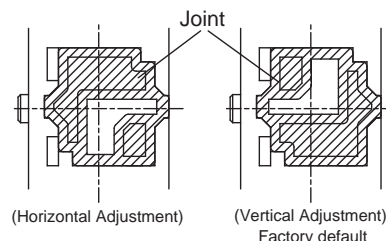
(Horizontal Adjustment)

(Vertical Adjustment) Factory default *3



*2 The actuator stop is used when adjusting the actuator position. Remove after the actuator position is determined.

*3 The direction of adjustable angle can be changed (vertical or horizontal) by changing the insertion direction of the joint (white plastic part). See the figures below. Do not lose the joints. Actuators do not operate normally without a joint.



9 Precaution for Disposal

Dispose of HS6B Interlock Switch as an industrial waste.

IDEC CORPORATION

<http://www.idec.com>

DECLARATION OF CONFORMITY

We, IDEC CORPORATION declare under our sole responsibility that the product:

Description: Interlock Switch
Model No: HS6B

Applied Union harmonized legislation and references to the relevant harmonization standards used or references the other technical specifications in relation to which conformity is declared.

Manufacturer: IDEC CORP.

2-6-64 Nishimiyahara Yodogawa-ku, Osaka 532-0004, Japan

EU Authorized Representative: APEM SAS

55, Avenue Edouard Herriot BP1, 82303 Caussade Cedex, France

Applicable EU Directive : Low Voltage Directive (2014/35/EU),
Machinery Directive (2006/42/EC), RoHS Directive (2011/65/EU)

Applicable Standard(s) : EN 60947-5-1, GS-ET-15, EN 50581

UK Authorized Representative: APEM COMPONENTS LIMITED

Drakes Drive, Long Crendon, Buckinghamshire, HP18 9BA, UK

Applicable UK Directive : Electrical Equipment (Safety) Regulations 2016,
Supply of Machinery (Safety) Regulations 2008,
The Restriction of the Use of Certain Hazardous Substances in
Electrical and Electronic Equipment Regulations 2012

Applicable Standard(s) : EN 60947-5-1, EN 50581