

RUGGED DESIGN. SUITABLE FOR A RANGE OF APPLICATIONS

Compact Unmanaged Industrial Ethernet Switches equipped with various features

Metal Housing	-40°C to +75°C	Noise-Resistant	Redundant Power Input
QoS supported <small>(*1)</small>	IGMP Snooping <small>(*1)</small>	Broadcast Storm Protected	9-60V DC <small>(*2)</small> 18-30V AC

*1) 8 port-type only

*2) 5 port-type only

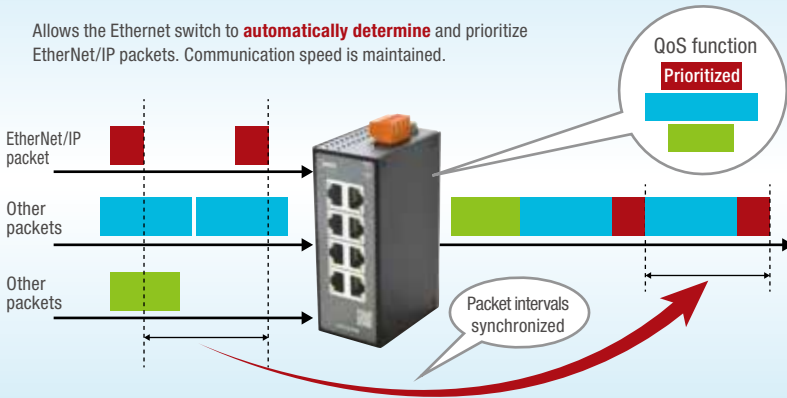


QoS Function

EtherNet/IP

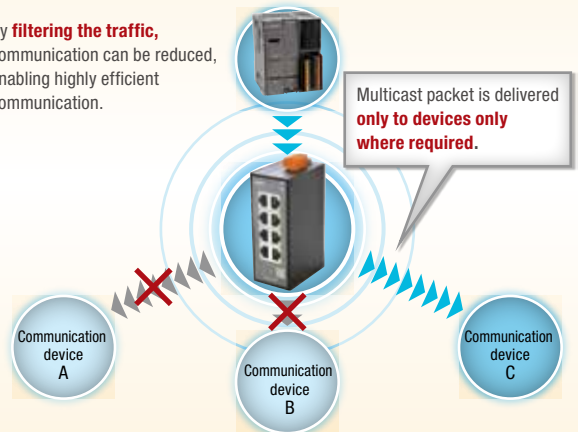
IGMP Snooping Function

Allows the Ethernet switch to **automatically determine** and prioritize EtherNet/IP packets. Communication speed is maintained.



*) QoS function can be turned on/off using a dip switch.

By **filtering the traffic**, communication can be reduced, enabling highly efficient communication.



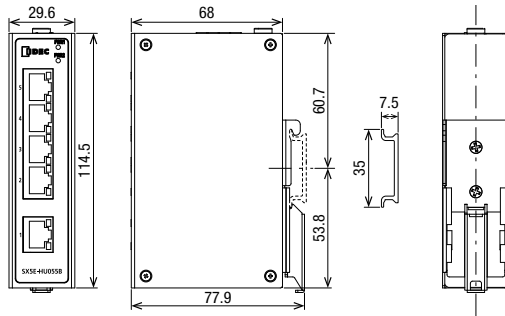
Ratings/Specifications

Part No.	SX5E-HU055B	SX5E-HU085B
Rated Input Voltage	12/24/48V DC, 24V AC	24V DC, 24V AC
Voltage Tolerance	9-60V DC, 18-30V AC	12-48V DC, 18-30V AC
Power Consumption	3.4W	4.1W
Ethernet Standard	IEEE802.3u (100BASE-TX)/IEEE802.3i (10BASE-T) compliant	
Data Transfer Speed	10Mbps/100Mbps (Auto-negotiation function)	
Communication Method	All ports full/half duplex (Auto-negotiation function)	
Number of Ports	5	8
Frame Transfer Method	Store and forward	
Throughput	0.75Mpps	1.2Mpps
Address Table	2048 entries	
Buffer Size	1Mbits	4Mbits
EM/EMS	FCC CFR47 Part 15, EN55022, CISPR22, Class A Electrostatic discharge: ±6kV (contact), ±8kV (air) (IEC61000-4-2) Radiation electromagnetic field: 10V/m (80MHz-2GHz), 3V/m (2GHz-2.7GHz) (IEC61000-4-3) FTB: ±2kV (Power Port), ±1kV (Data Port) (IEC61000-4-4) Lighting surge: ±1kV/DM, ±2kV/CM (Power Port), ±1kV (Data Port) (IEC61000-4-5) RF conducted immunity: 10V (150kHz-80MHz) (IEC61000-4-6)	
Vibration Resistance	5Hz to 9Hz: 3.5mm, 9Hz to 150Hz: 2.0G (IEC60068-2-6)	
Shock Resistance	150m/s ² 11ms (IEC60068-2-27)	
Operating Temperature	-40 to +75°C (no freezing)	
Operating Humidity	5 to 95% RH (no condensation)	
Storage Temperature	-40 to +85°C (no freezing)	
Mounting	DIN rail/panel mounting (*1)	
Degree of Protection	IP30	
Weight (approx.)	200g	250g

*1) An optional accessory is required for panel mounting.

Dimensions

SX5E-HU055B



SX5E

Ethernet Switch

Package Quantity: 1

Model	Part No. (Ordering No.)
5 port Ethernet Switch	SX5E-HU055B
8 port Ethernet Switch	SX5E-HU085B

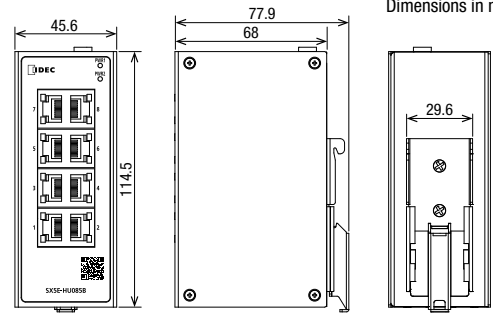
Accessories (optional)

When ordering, specify the Ordering No.

Accessories	Part No.	Ordering No.	Package Quantity
RJ45 connector cover (IP30)	SX9Z-CAP2	SX9Z-CAP2PN02	2
Direct mounting bracket	SX9Z-1A01	SX9Z-1A01	1
Power supply terminal block	SX9Z-PMTD04	SX9Z-PMTD04PN02	2

Dimensions in mm.

SX5E-HU085B



IDEC recommends the use of SX5E Ethernet Switches with the below products.

PLCs/Controllers

FC6A

Plus/All-in-One

EtherNet/IP



FT1A

Touch

Pro

Lite



IoT of production sites are made simple and easy with high performance features; remote monitoring with web server functions, automatic E-mail notification of periodic and event reports, and user-friendly debug function to reduce design process.

Advanced 3.8-inch LCD display with integrated control function with space- and wire-saving features for easy operation.

Operator Interfaces

HG Series

HG*G 15 inch 12.1 inch 10.4 inch 8.4 inch 5.7 inch 4.3 inch

HG2J 7.0 inch Wide



IDEC HMI delivers a technologically-advanced display with industry-leading brightness, lifespan and functionality. With sizing from 4.3" to 15", IDEC displays provide a durable, intuitive and user-friendly control and monitoring experience.

2D Code Scanner

WB2F



WB2F



WB9Z Communication Unit

EtherNet/IP

Equipped with a high-resolution sensor to read small symbols from 150mm max. Ethernet communication is possible with the optional communication unit.

Smart RFID Reader

KW2D



EtherNet/IP

Compact RFID reader mounts on ø22mm panel cut-out. Water- and oil-proof and equipped with a verification function. Ideal for user authority management at factory sites.

IDEC CORPORATION

Head Office 6-64, Nishi-Miyahara-2-Chome, Yodogawa-ku, Osaka 532-0004, Japan

USA IDEC Corporation
EMEA APEM SAS

Singapore IDEC Izumi Asia Pte. Ltd.
Thailand IDEC Asia (Thailand) Co., Ltd.
India IDEC Controls India Private Ltd.

China IDEC (Shanghai) Corporation
IDEC Izumi (H.K.) Co., Ltd.
Taiwan IDEC Taiwan Corporation

Japan IDEC Corporation

 www.idec.com

Specifications and other descriptions in this brochure are subject to change without notice.
Information in this brochure is current as of December, 2023.
2023 IDEC Corporation, All Rights Reserved.

EF1139-3

